

## CHENNIC 400 amp Main Contactor (JCS4)



### ■ Description

JCS4 contactor is applicable for electric control system of electric car, motor forklift truck, electric vehicle, electric winch, grab, vehicle air conditioner, communication power supply, UPS (uninterruptible power system) and so on

### ■ Specifications

◇ Voltage:	48Volt coil
◇ Coil start current:	≧5
◇ Coil hold current:	0.2A
◇ Coil hold current DE-For intermittently :	0.35A
◇ Current:	400 amps continuous, 600 amps surge (2 seconds)
◇ Operating time:	Pickup(contact makes): ≧30ms, Release(contact breaks): ≧30ms
◇ Action characteristic:	Pickup(contact makes): ≧66%Us, Release(contact breaks): ≧30%Us, ≦5% Us
◇ Contacts:	Silver oxide
◇ Mechanical life :	300 thousand times
◇ Electric life : Resistive load (τ=1ms) :	5million times,
< inductive load (DC-5) :	60%le for Resistive load, 2million times
◇ Note:	JCS4 is uncoil winding

### ■ Environmental condition:

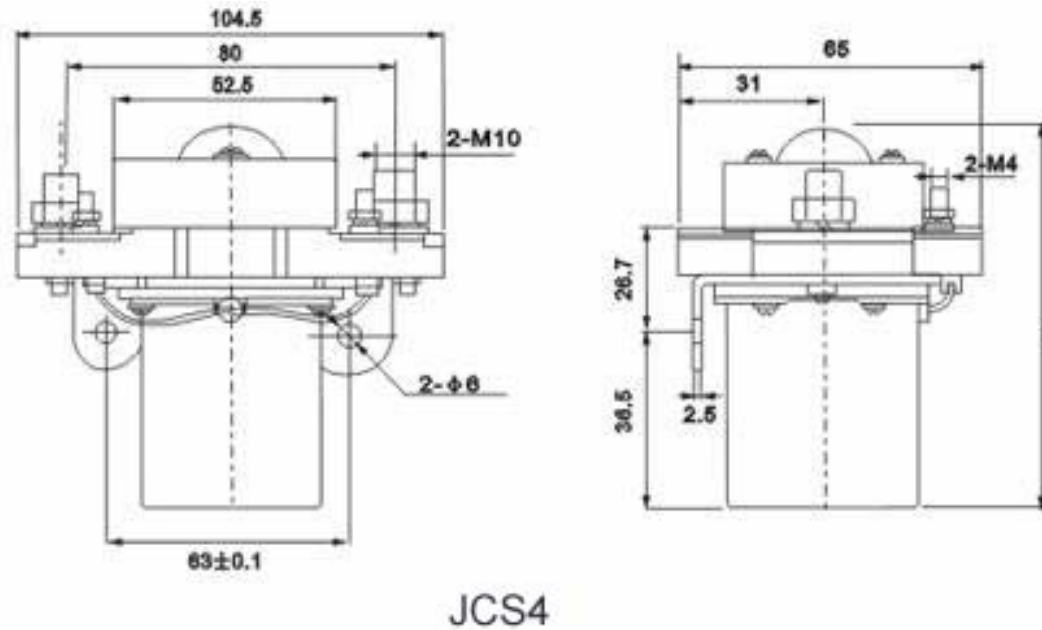
◇ Ambient temperature:	-25~+40℃;
◇ Altitude range:	0—2000m;
◇ Max relative humidity 90% at 25℃;	
◇ Vibration:	10~50Hz, 10m/s <sup>2</sup> ;
◇ Shock:	30m/ s <sup>2</sup> ;
◇ Altitude:	anywhere;
◇ power voltage fluctuation:	0.7-1.1Ue;

# Chennic Technology Co., Ltd

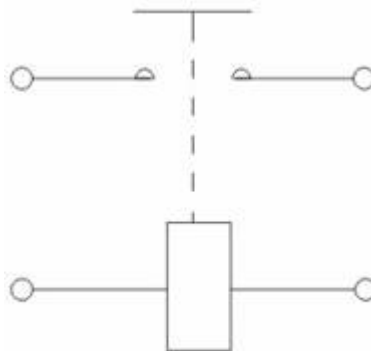
◇ Duty:

8h continuous.

■ Configurationally mounting diagram:



■ Circuit diagram



For more information please contact:

<p><b>Chennic Technology Co., Ltd</b> <b>Add:</b> NO.18 Huishui Road, Huishui Economic Development Area, Licang District, Qingdao, Shandong Province 266000 China <b>Tel:</b> +86-532-80931534 Fax: +86-532-83773076 <b>Email:</b> For technique issues please contact us at <a href="mailto:info@chennic.com">info@chennic.com</a> For inquiries please contact us at <a href="mailto:sales@chennic.com">sales@chennic.com</a> <b>Website:</b> <a href="http://www.chennic.com">www.chennic.com</a></p>
--