

Non-isolated DC-DC Converters

400W



Feature Overview

DC series DC/DC converter applies advanced technology and is configured specifically for electric vehicles. It is very suitable to supply power to the lamp and audio system as it is very stable and clean. The advantages of high efficiency, stability and compact size, are achieved by adopting the advanced high frequency technology. It is sealed by silica glue to get water and vibration proof, which ensures the stability of the vehicle in atrocious condition.

Current equalizer is built in, which makes converters work in parallel possible in order to enlarge the capability.

No arc design, which can be controlled by the key switch directly and no contactor is required.

Specifications

Input Voltage:	48V
Input Voltage Range:	30—70V
Output Voltage:	12V
Max Output Current:	30A
Maximum Efficiency:	≥90%
Environmental Enclosure:	IP68
Shock and Vibration:	SAEJ1378
Safety-North America:	UL2202/UL1564 2nd Edition
Emissions- North America:	FCC Part 15/ICES 003 Class A
Immunity-Europe:	EN61000-4-2/3/5/6/11
Operating Temperature:	-20℃-50℃

Protections

Water and Vibration Proofed: All sealed by silica glue to get water and vibration proof, which is suitable for all kinds of condition.

Input reverse polarity protection: Shut down, auto–reset.

Water Proofed Fuse: Input or output fuse, simple wiring.

No Arc: Input with no arc, can be controlled by key switch directly, without

contactorn

Short Circuit: Shut down with little plus current, auto–reset, ensure the wire safety.

Superheating Cutback: Reduce output current if the temperature is over 65℃, ensure the continuous power for your car.

Reverse Polarity: Electronic protection, auto–reset.

Input Low Protection: Shut down, auto–reset, prevent the battery from over discharging

Type Table

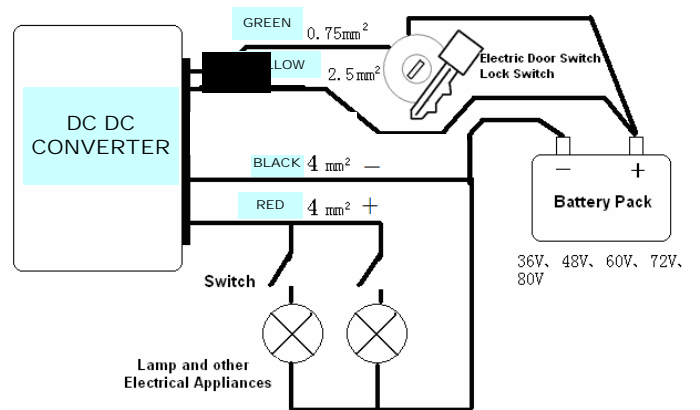
Type	Battery Voltage	Output Voltage	Output current
DC-3612	36V	12V	30A
DC-4812	48V	12V	30A
DC-6012	60V	12V	20A/ 30A
DC-7212	72V	12V	20A/ 30A
DC-6024	60V	24V	15A/ 20A
DC-7224	72V	24V	15A/ 20A

Wire

Yellow: Input + (1.5mm²) Red: Output + (4.0mm²)

Black: Input & Output - (4.0mm²) Green: key switch

Note: It will cause problem when disconnecting the output as input.



Installation Size

